



APM CO., LTD.

ASP-POE1G-A

Network Lightning / Surge Protector PoE Compatible



Features:

- Shielded RJ45 jack and metal housing for EMI noise suppression
- CAT5e/CAT6/CAT6a compatible
- 10 Gigabit Ethernet available
- Cast aluminum construction
- Integrated mounting brackets
- DIN rail mount available (Option Kit) + 802.3af/at/bt/POH compliant
- AC/DC, DC/DC PoE available
- UL 497B approved (option)

Specification:

1. Nominal voltage operating DC voltage: 56V
2. Max. continuous operating DC voltage: 58V
3. DC breakdown voltage: 75V
4. Max. continuous DC voltage pair-pair (PoE): 58V
5. Nominal current: 2.5A(Each pair of lines)
6. Nominal discharge current line-line: 17A (8/20 μ s)
7. Nominal discharge current line-FG: 100A (10/1000 μ s,300times with 3mins interval)
8. Nominal discharge current line-FG: 10KA (8/20 μ s,10 times with 3mins interval)
9. Voltage protection level line- FG Breakdown Voltage: 64V ~ 650V (for rising voltage 100V/s and 1000V/us)
10. Voltage protection level line- line Breakdown Voltage: 24V ~ 650V (for rising voltage 100V/s and 1000V/us)
11. Voltage protection level line-line for POE In Maximum Breakdown Voltage : 6V ~ 18.3V @IPP = 17A(8/20uS)
12. Capacitance line-line \leq 3 PF
13. Capacitance line-FG \leq 3 PF
14. Capacitance line-FG \leq 150 PF@(3-FG) , (4-FG)
15. Operating temperature range: -40°C to +90°C
16. Connection (input / output): RJ45 socket
17. Pinning: 1 / 2, 3 / 6, 4 / 5, 7 / 8



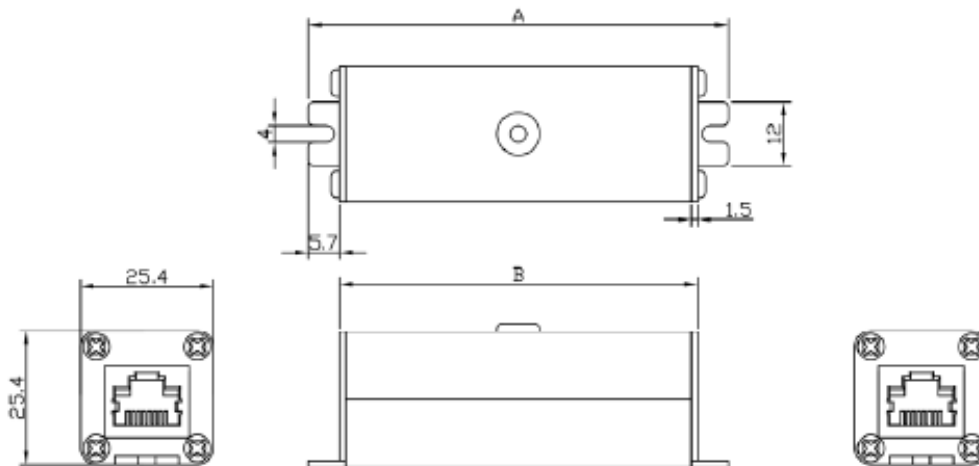
APM CO., LTD.

- 18. Data Rate: Ethernet 10Gbps, PoE 5Gbps @ CAT6A 90m (pin to pin)
- 19. Ground Lug Wire: 14AWG 350mm ± 5mm
- 20. Weight: 105 ± 5g
- 21. Dimensions: 120*25.4*25.4(include bracket)
- 22. Each pair of lines Over-Current Protection: (1,2/3,6) & (4,5/7,8)
- 23. Over-Current Protection Turn-off point: 2700 mA ~5400Ma

Ordering information:

MIT S Model No.	Max Surge Discharge	Operation Voltage	DireRCMion	Dimensions	standard	Certificate
ASP-POE1G-A	10KA	48V/56V	Bi-DireRCMional	120 x 25 x 25	802.3at/bt 1236+4578)	CE/UL

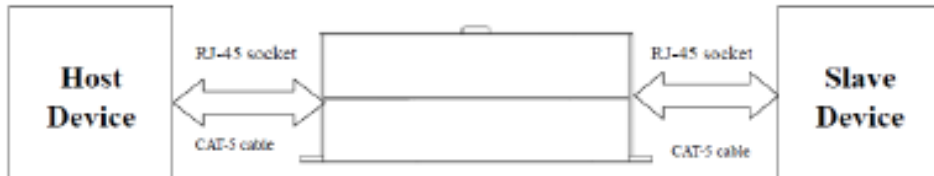
Mechanical Specifications :



A=120mm ± 1mm, B=108mm ± 1mm



Installation :



** The Protector is Bi-Directional so it's no issue in connection between Host and slave devices.

Option: DIN rail mounting kit

- step 1: screw metal stand to clip
- step 2: screw surge protector to metal stand
- step 3: clip on the set to rail

